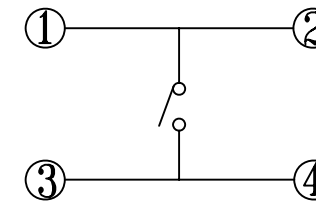
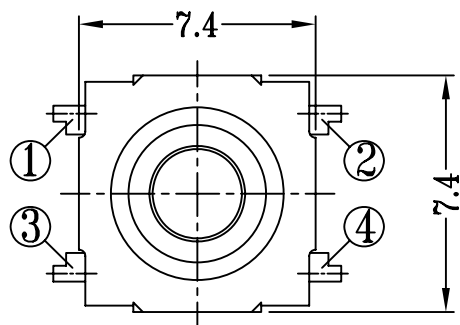
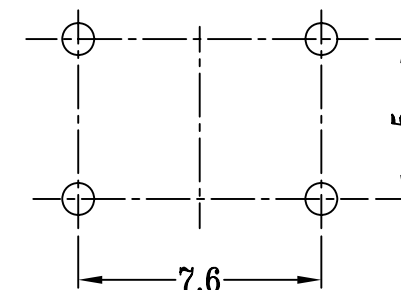
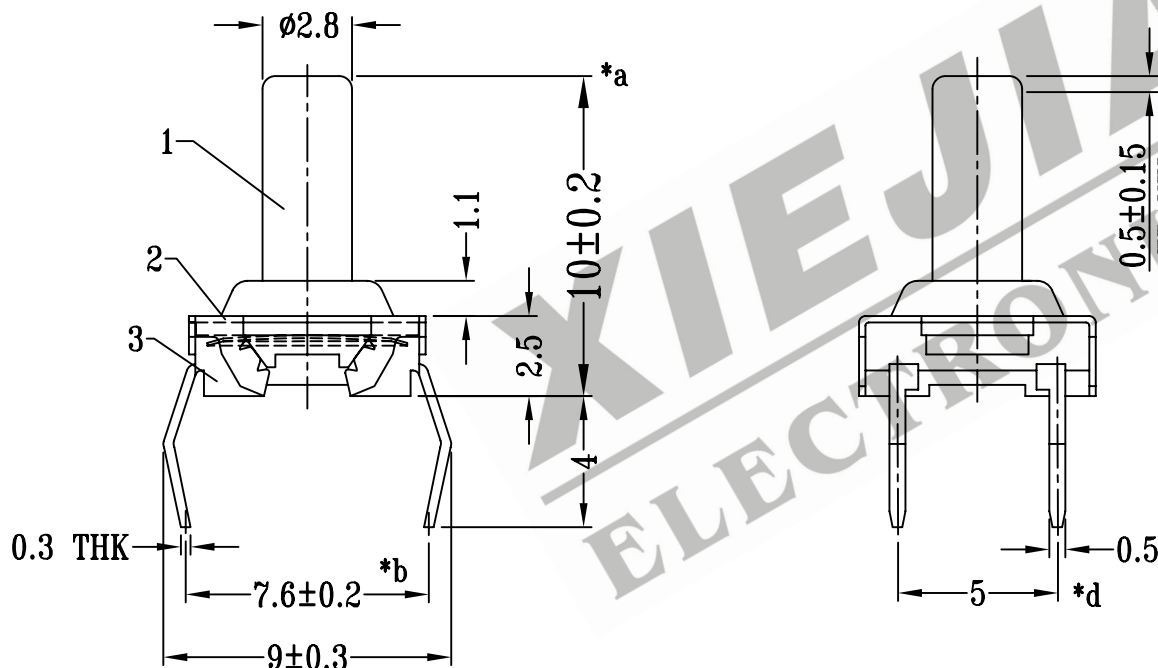


CAD FILE:



**SCHEMATIC**



**P.C.B LAYOUT**

注:带"\*"表示关键尺寸(4个)

8					TOLERANCE UNLESS SPECIFIED	SHENZHEN XIEJIA ELECTRONICS CO.,LTD.						
7												
6					WITHIN: 1.5±0.1mm OVER : 1.5±0.2mm	ISSUE	DATE	DESCRIPTIONS OF REVISION		APPD.		
5	SEAL PLATE	RUBBER	1	BLACK								
4	CONTACT	PBS	1	Ag CLAD	TITLE : TACT SWITCH			UNIT : mm		DRWG NO.: XJ-DR-TC22XA-00		
3	CASE	NYLON/BRASS STRIP	1	BLACK/Ag PLATED OVER Ni PLATED								
2	COVER	SUS	1	BLACK	MODEL: TC-22XA			SCALE: 4:1		DWN.	ZHOUYU	2004-5-4
1	KNOB	NYLON	1	Ni PLATED						CHK'D	FANGYING	2004-5-4
NO.	PARTS	MATERIALS	Q'TY	FINISH	ALL MATERIALS MUST BE COMPLIANT TO ROHS			APPD.	KANGXINAN	2004-5-4		